

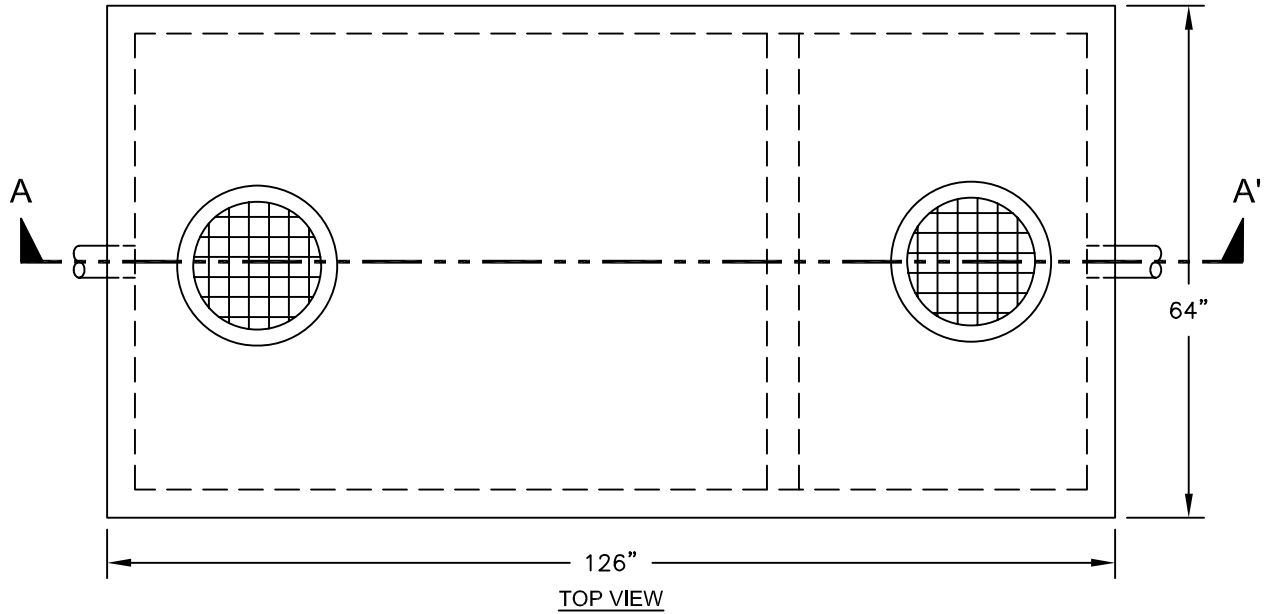
YAVAPAI BLOCK CO., INC.

YAVAPAI PRECAST

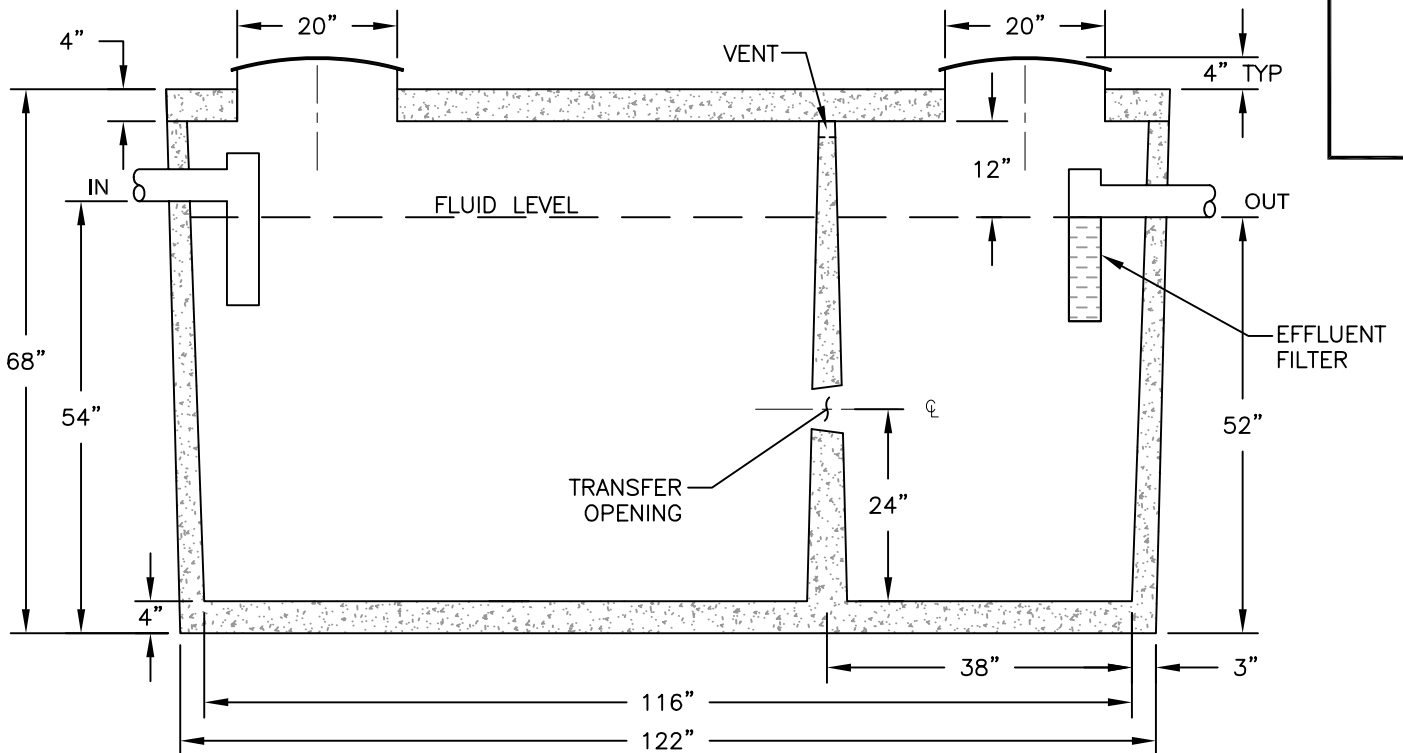
1389 Masonry Way
 Prescott, Arizona 86301
 928-445-4340 1-800-649-4340
 fax: 928-445-4383 www.yblock.com

DATE
 MARCH 19, 2007

DRAWING NO.
 1250ST-1P



1,250 GALLON
SEPTIC TANK (1 PIECE)



NOTES:

1. TANK IS ADEQ COMPLIANT, AND CONFORMS TO LATEST ASTM C1227 SPECIFICATION FOR "PRECAST CONCRETE SEPTIC TANKS".
2. CONCRETE COMPRESSIVE STRENGTH 4000psi MINIMUM.
3. MAXIMUM BURIAL IS 24 INCHES.
4. WEIGHT IS 12,025lbs.
5. STANDARD TOP SHOWN. REINFORCED TOP AVAILABLE ON SPECIAL ORDER.