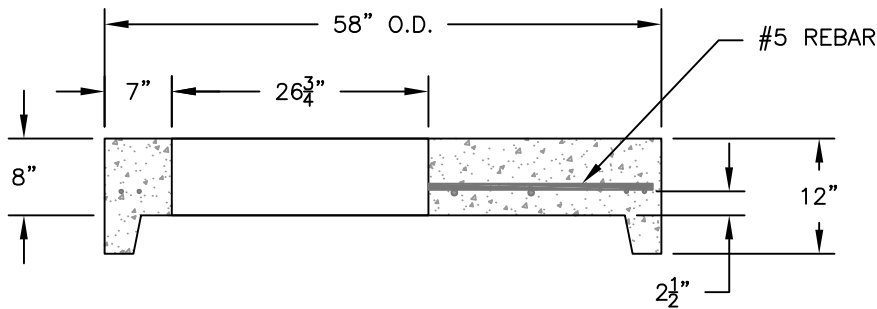


TOP VIEW



Section A - A'
SIDE VIEW

**48" ID x 26 3/4" OPENING
 FLAT-TOP MANHOLE**

NOTES:

1. ALL CONCRETE, REINFORCING, STEPS AND SEALANT SHALL MEET OR EXCEED ASTM C-478 SPECIFICATIONS.
2. CONCRETE COMPRESSIVE STRENGTH SHALL BE 4000psi MINIMUM.