

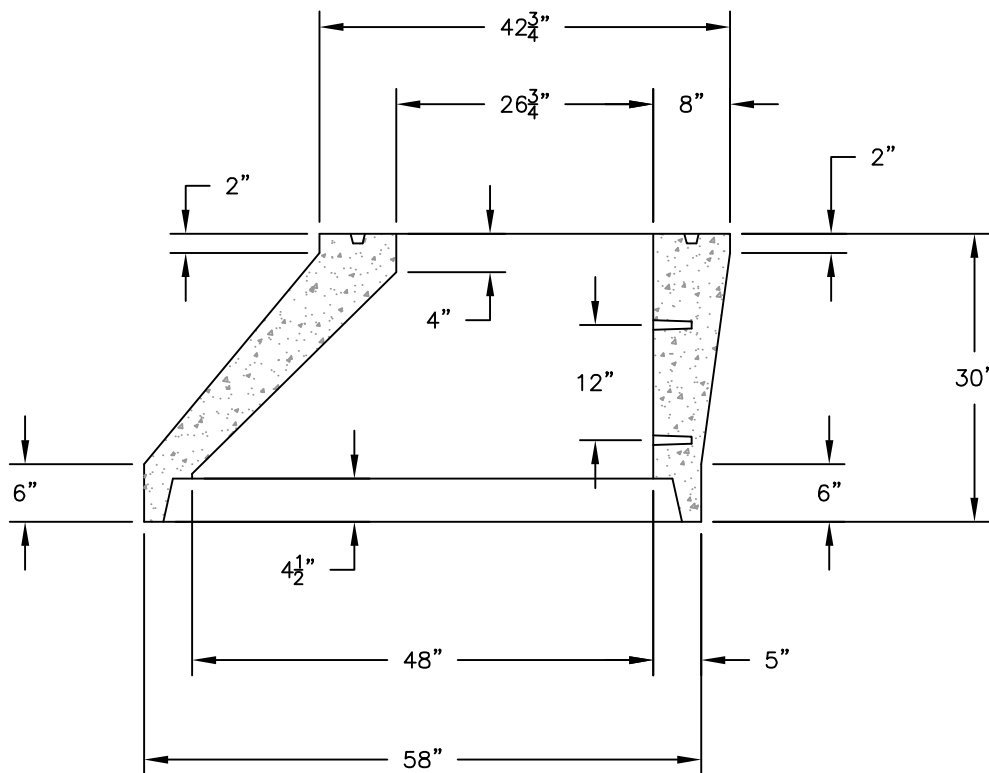
**YAVAPAI BLOCK CO., INC.**  
**YAVAPAI PRECAST**

1389 Masonry Way  
 Prescott, Arizona 86301  
 928-445-4340 1-800-649-4340  
 fax: 928-445-4383 www.yblock.com

DATE  
 OCTOBER 15, 2007

DRAWING NO.  
 483026CONE

**48" ID X 30" TALL CONE SECTION  
 (26-3/4" OPENING)**



**NOTES:**

1. ALL CONCRETE, REINFORCING, STEPS AND SEALANT SHALL MEET OR EXCEED ASTM C-478 SPECIFICATIONS.
2. CONCRETE COMPRESSIVE STRENGTH SHALL BE 4000psi MINIMUM.