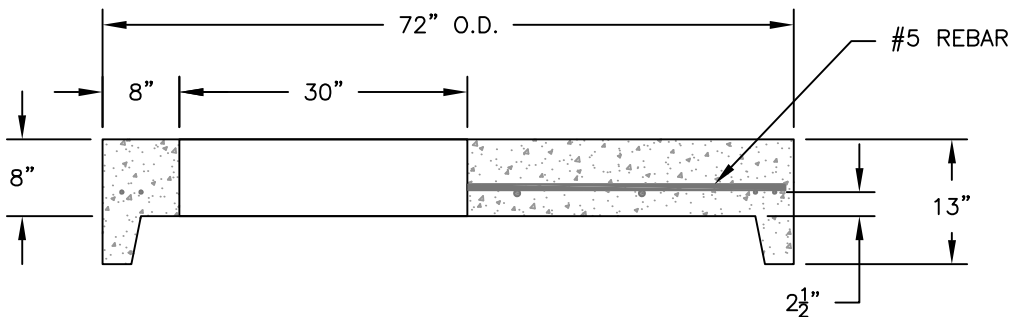


TOP VIEW



Section A - A'  
SIDE VIEW

**60" ID x 30" OPENING  
 FLAT-TOP MANHOLE**

**NOTES:**

1. ALL CONCRETE, REINFORCING, STEPS AND SEALANT SHALL MEET OR EXCEED ASTM C-478 SPECIFICATIONS.
2. CONCRETE COMPRESSIVE STRENGTH SHALL BE 4000psi MINIMUM.