

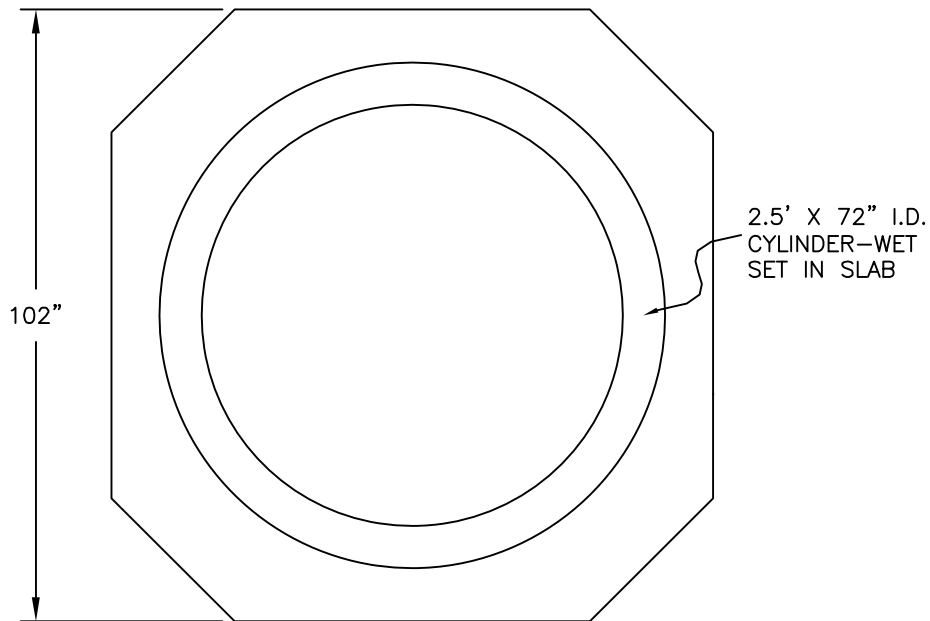
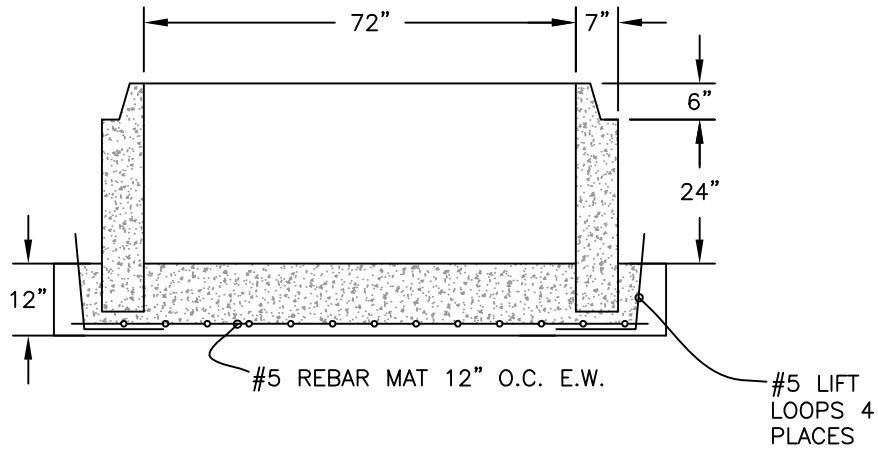
YAVAPAI BLOCK CO., INC.
YAVAPAI PRECAST

1389 Masonry Way
 Prescott, Arizona 86301
 928-445-4340 1-800-649-4340
 fax: 928-445-4383 www.yblock.com

DATE
 OCTOBER 15, 2007

DRAWING NO.
 7224BASE

72" I.D. X 24" SOLID BOTTOM BASE



NOTES:

1. ALL CONCRETE, REINFORCING, STEPS AND SEALANT SHALL MEET OR EXCEED ASTM C-478 SPECIFICATIONS.
2. CONCRETE COMPRESSIVE STRENGTH SHALL BE 4000psi MINIMUM.